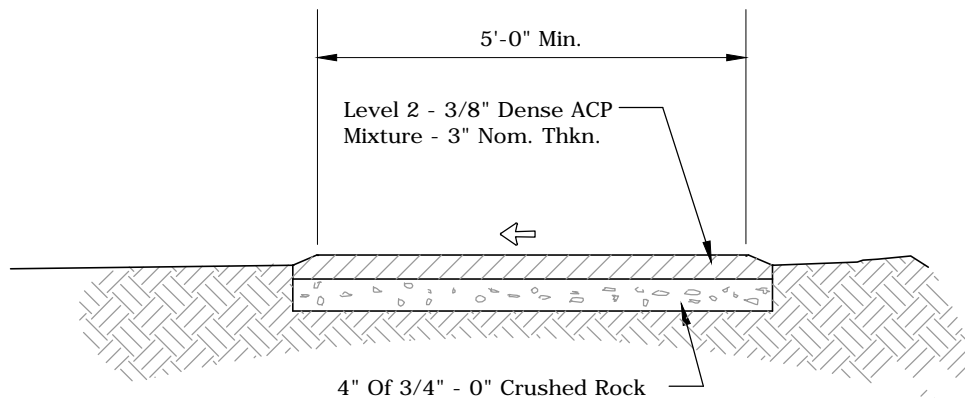


**PORTLAND CEMENT CONCRETE**



**LEGEND:**

- ← Slope 1.5% Max Design
- ← Slope 2% Max Finish Grade

**ASPHALTIC CONCRETE**

**NOTES:**

1. Use Oregon Standard Commercial Grade Concrete Per Section 00440.
2. Construct P.C. Concrete Panels That Are Square. Deep Cut Contraction Joints At 5 Foot Intervals, Edge On 4 Sides And Light Broom Finish.
3. In Both Cases Sterilize And Compact Subgrade.
4. Design Slopes May Be Exceeded To Fit Existing Conditions, Not To Exceed Finish Grade Slope.



WASHINGTON COUNTY  
DEPARTMENT OF LAND USE &  
TRANSPORTATION  
ENGINEERING SECTION

**PEDESTRIAN PATH  
OR BIKEWAY**

PLOT STAMP: 08/27/19 3:16P ANTHONYD  
CAD: 2150.DWG

EFFECTIVE DATE: **9/01/2019**

WASH. CO. #

**2150**