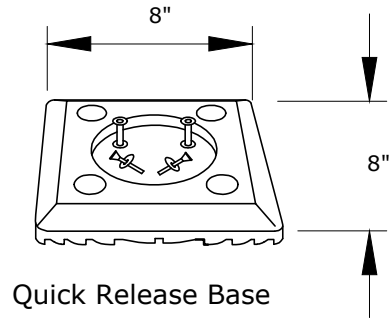


Detail Of Concrete Base Installation



Quick Release Base

Notes:

1. Installation To Be Completed In Accordance With Manufacturers Specifications.
2. Tubular Marker Shall Have A "Quick Release" Feature, Which Allows The Tubular Marker To Be Removed From The Base Without The Use Of Tools.
3. Tubular Markers For Use on Washington County Roads Shall Be Impact Recovery Systems® products, Or Equal As Approved By The County Engineer.
4. Tubular Markers Shall Consist Of The Following:
  - 3" Tuff Post - 36" Height, Open Top, Two Sheeting Bands (TP3-36-HY)
  - Quick Release Base (BS-SMQB # 199) - Black w/ Impact Traffic Anchor
  - Post And Sheeting Color Shall Match:
    - Yellow If Separating Lanes Of Opposing Traffic Directions
    - White If Separating Lanes of Same Traffic Direction



WASHINGTON COUNTY  
DEPARTMENT OF LAND USE &  
TRANSPORTATION  
ENGINEERING SECTION

TUBULAR MARKER

PLOT STAMP: 08/08/19 4:51P ANTHONYD  
CAD: 6040.DWG

EFFECTIVE DATE: 09/01/2019

WASH. CO. # 6040