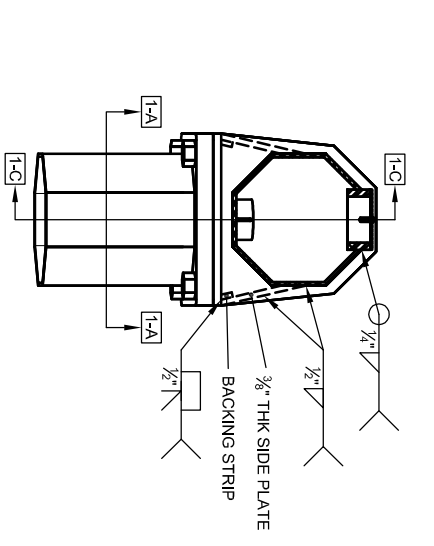
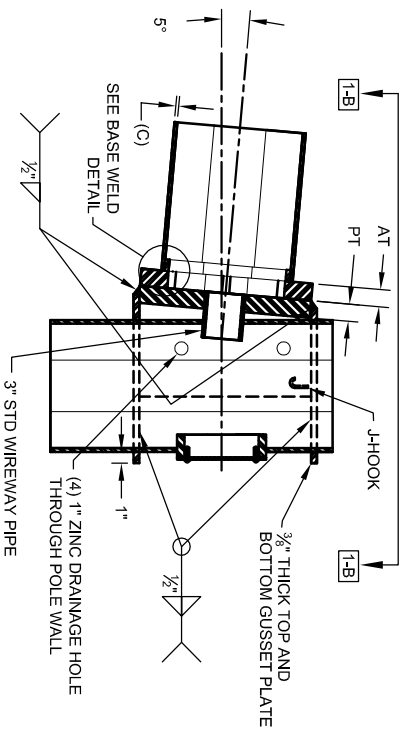


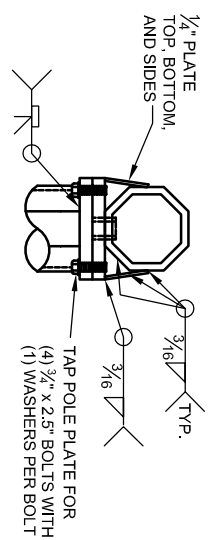
MAST ARM CONNECTION DETAIL 1-A



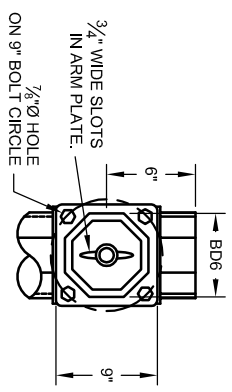
MAST ARM CONNECTION DETAIL 1-B



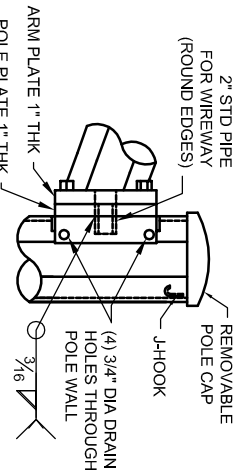
MAST ARM CONNECTION DETAIL 1-C



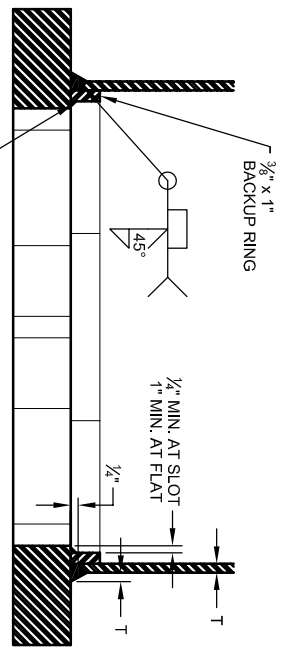
LUMINAIRE ARM CONNECTION DETAIL 1



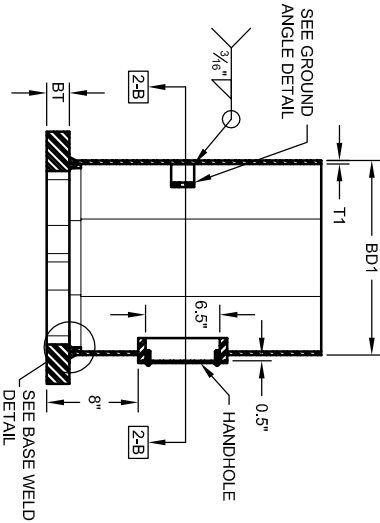
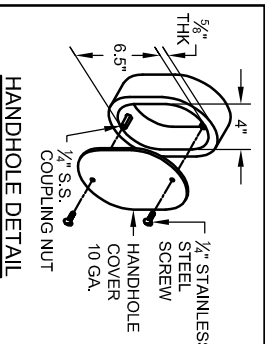
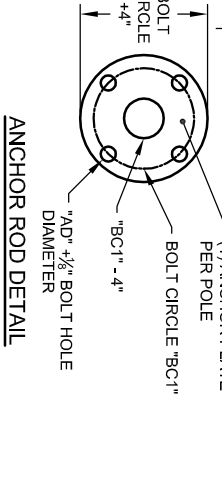
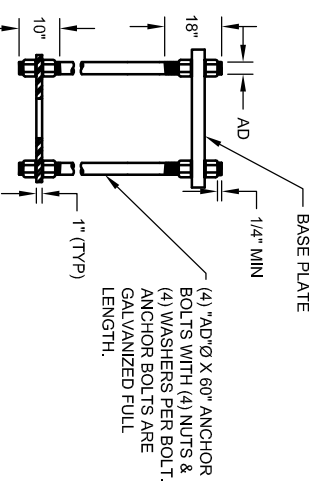
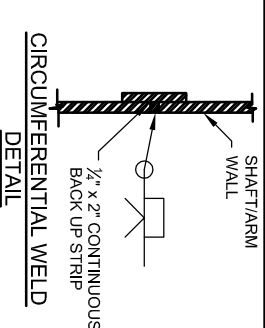
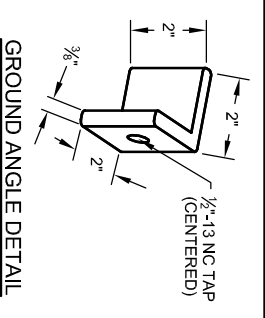
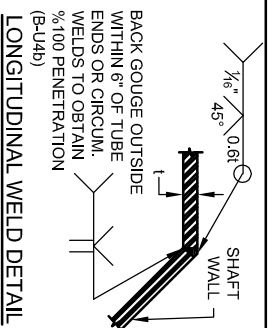
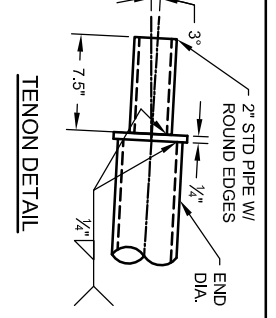
LUMINAIRE ARM CONNECTION DETAIL 2



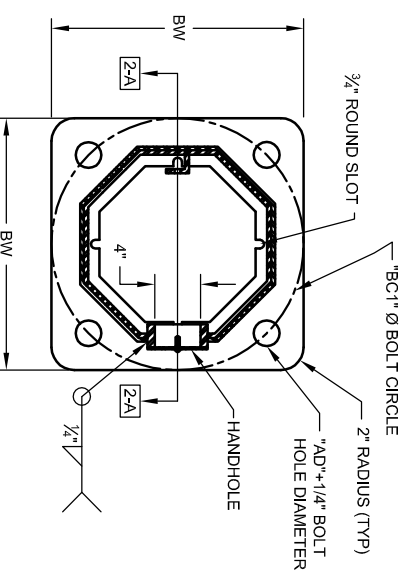
LUMINAIRE ARM CONNECTION DETAIL 3



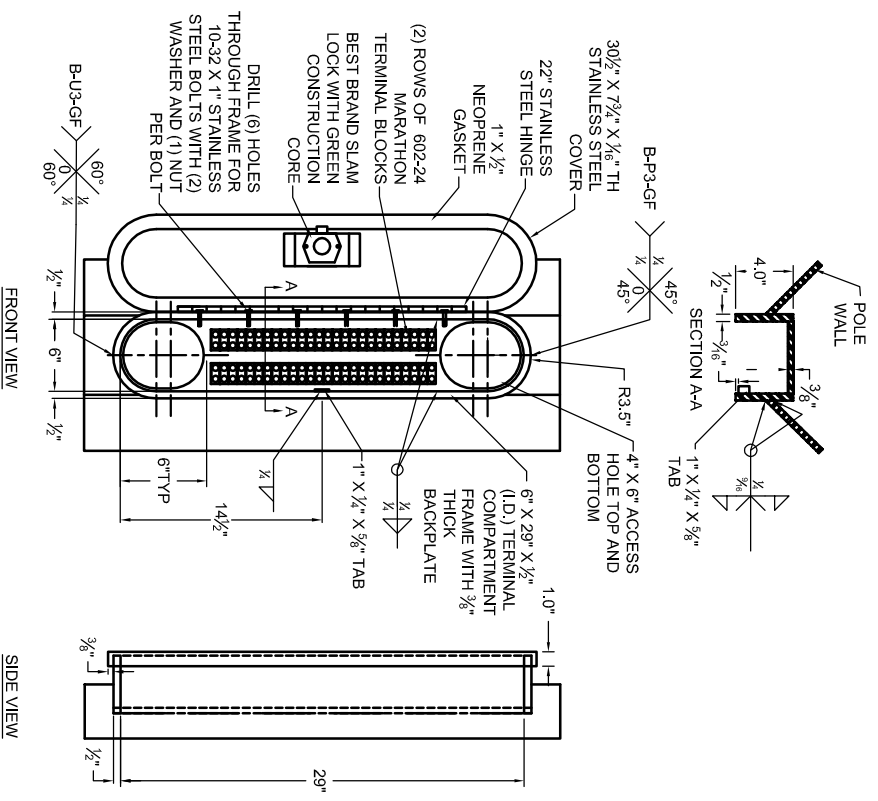
BASE WELD DETAIL (MAIN SHAFT, MAST ARMS & LUMINAIRE)



BASE DETAIL 2-A



BASE DETAIL 2-B



RECESSED TERMINAL COMPARTMENT

TRAFFIC SIGNAL SUPPORTS  
STEEL DETAILS

WASHINGTON COUNTY  
DEPARTMENT OF LAND USE &  
TRANSPORTATION  
ENGINEERING SECTION

EFFECTIVE DATE: 6/16/2014

WASH. CO. # 6913

PLOT STAMP:  
CAD: 6913.DWG